

# PRODUCT DATA SHEET

## GY-1 Fruit Penetrometer

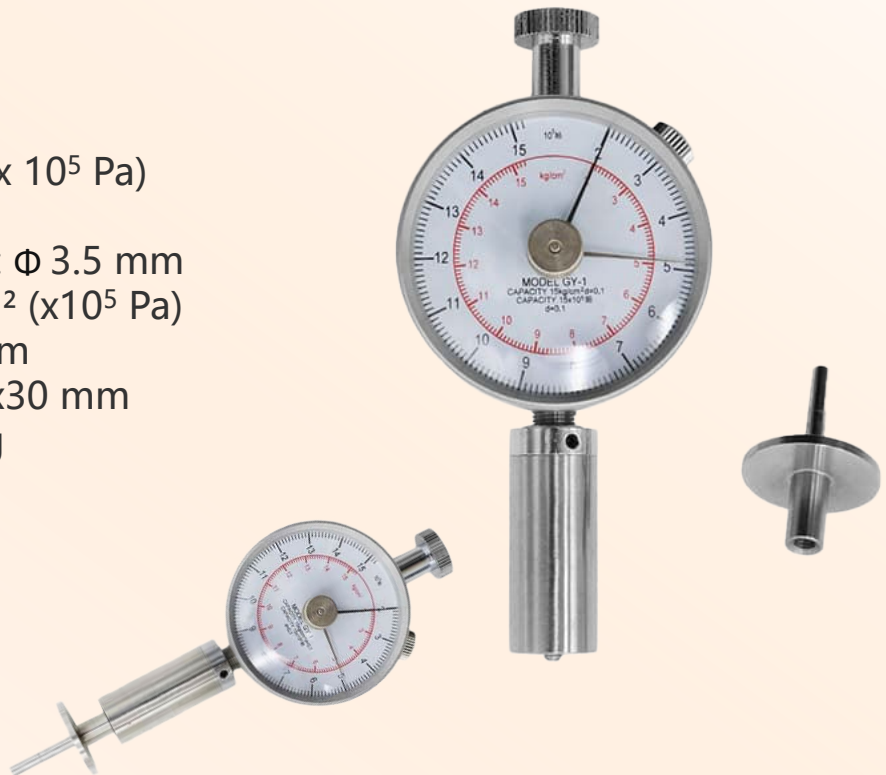


### Features

1. Special for inspecting the hardness of the fruits, such as apples, pear, strawberry, grape and so on.
2. Judging the harness and mature of the fruits will good for breed, deposited, export, transport, machining, etc.
3. They are widely used for fruit research department, fruit company, fruit farm, college and so on.
4. Used to measure fruits to determine the degree of ripeness of the fruit, to reasonably grasp the picking of fine seeds, picking time, processing time, harvesting and storage, export and transportation.
5. It is small size and light weight, direct display of value, easy to carry, suitable for all kinds of fruit inspection places.

### Specification

- Range: 2-15 kg/cm<sup>2</sup> (x 10<sup>5</sup> Pa)
- Precision: ±0.1
- Measuring Head Size: Ø 3.5 mm
- Resolution: 0.1 kg/cm<sup>2</sup> (x10<sup>5</sup> Pa)
- Insertion Depth: 10mm
- Size: Approx. 140x60x30 mm
- Weight: Approx. 300g



ติดต่อ: บริษัท เนโอนิกส์ จำกัด

Tel: 098-479-5684 หรือ 061-8268939

E-mail: sale@tools.in.th หรือ sale@neonics.co.th Line ID: @neonics